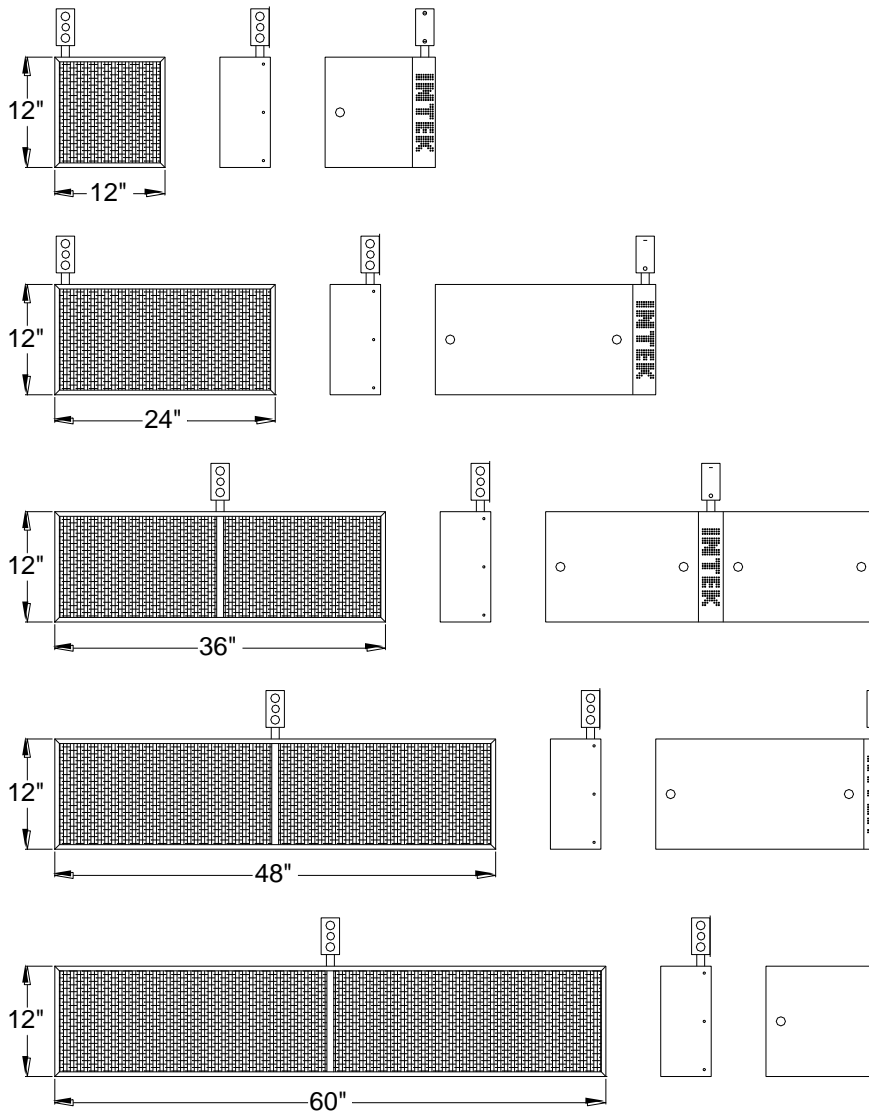
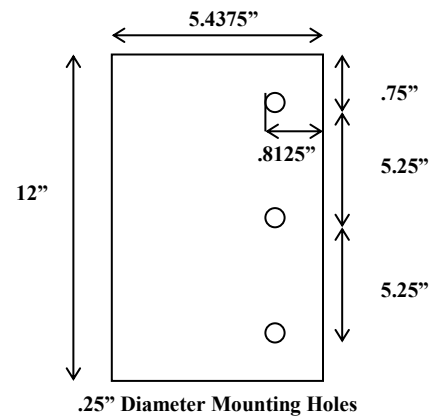


“OM” Model Heater Module

- Patented Intek electric infrared heating elements
- 120V, 208V, 240V, 480V models available
- Built-in mounting brackets and terminal bolts for easy installation
- Rugged 20 ga. Aluminized steel housing with built-in electrical raceway
- No internal wiring - provides trouble free operation



Side View of “OM” Model Heater Panel



“OM” Model Industrial Heater by Intek

Design Specifications:

Model ‘OM’ heater modules shall consist of a 20 gauge aluminized steel cabinet including built-in mounting holes suitable for hanging heater structural frame provided by others by attaching with 1/4" 20 nuts and bolts (brackets and bolts to be provided by others). Depending on size, heater module shall be designed for 120V, 208V, 240V, or 480Volt power hook-up. All heater modules shall use patented electric infrared heating elements by Intek with no moving parts, fans, or reflectors. Patented design allows for combining of multiple heaters when larger target areas must be served. Each heater module contains a minimum of 2.5 inches of premium-grade ceramic fiber insulation to provide maximum radiant efficiency. The patented design includes a wire raceway, integral to the design of the heater, with standard conduit knockouts to provide for easy power connectivity. Terminal bolts and nickel-coated ring terminals are included for high temperature electrical connection points.

Note: Optional 2" x 4" junction boxes shown in illustrations available at extra cost.

Output Performance

Many wattage configurations are available for unlimited process heat applications. Maximum output temperature of patented heat panel is 1100°F equivalent to wavelength of 3.4 microns.

