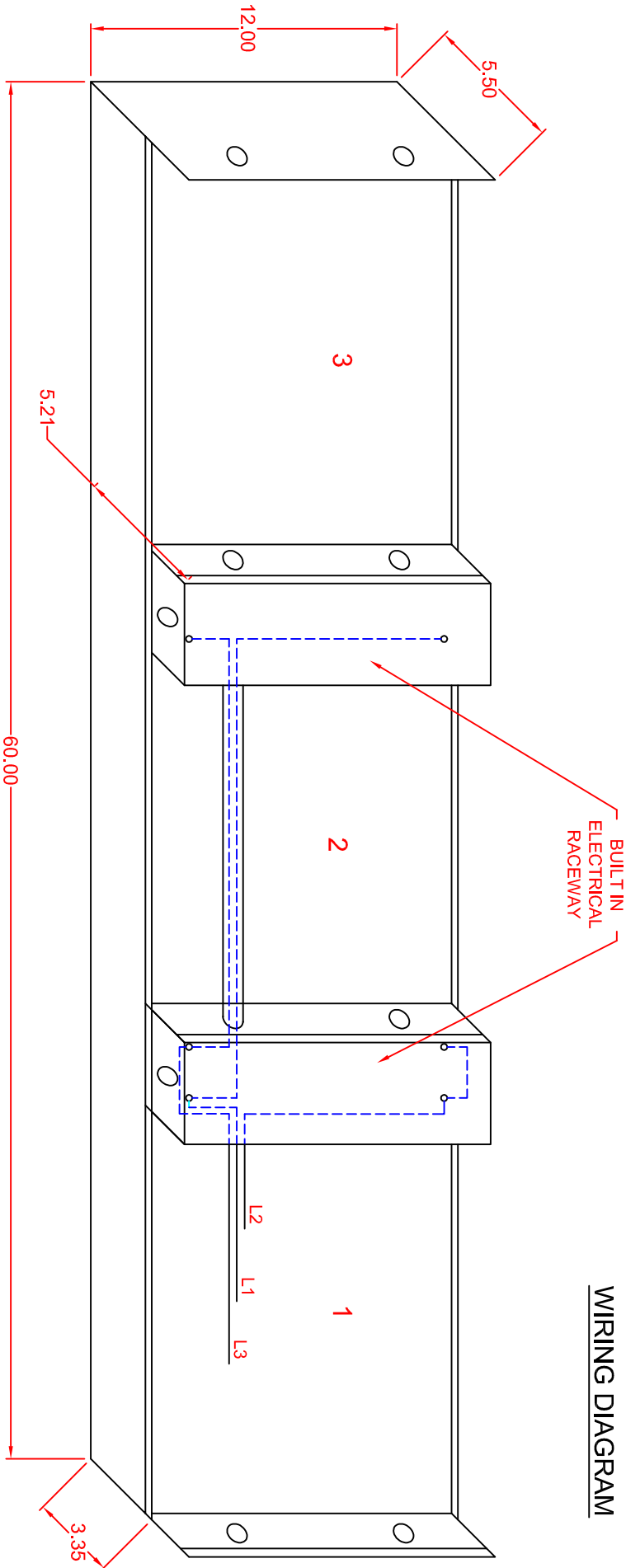


WIRING DIAGRAM



PROPRIETARY AND CONFIDENTIAL USE!
 This information and all accompanying documentation is considered proprietary and confidential, belonging to the sender for the sole purpose of communicating design concepts created by Intek Corporation and disclosure, copying, distribution or electronic storing is strictly prohibited!

0-MODEL 12 X 60 HEATER WITH DUAL RACEWAY		Not To Scale
OM-60-DR		.XX=+/- .03"
OM 12 X 60 DUAL		
XX.XXX" X YY.YYY"		
N. FARMER	1st	07-10-14

REVISIONS		No.	Date	By	Description

APPROVAL SIGNATURE: _____

DATE: _____

